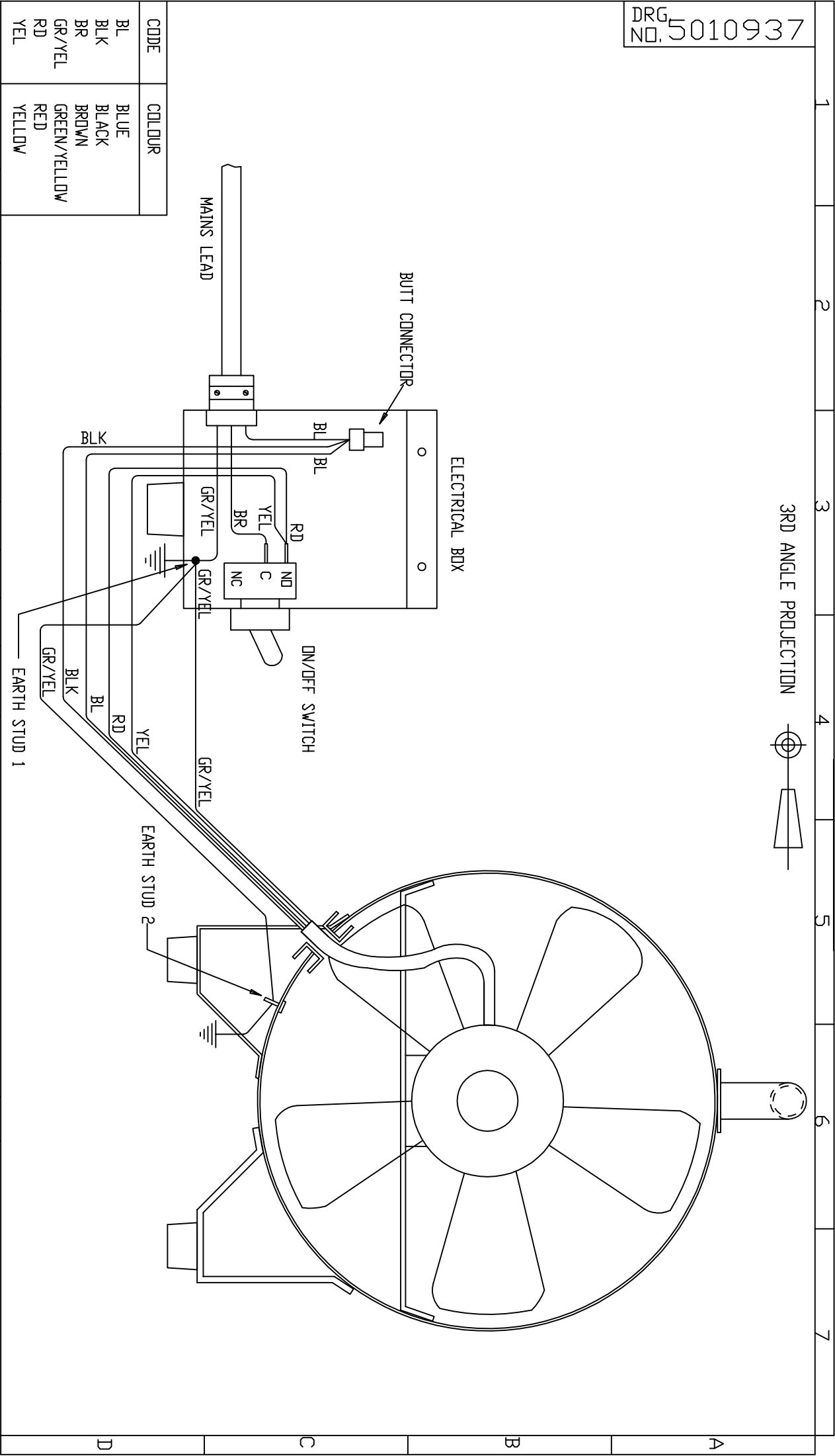
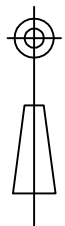


3RD ANGLE PROJECTION



DRAWN: Jg LAVERICK		ISS.	1							SECURITY CLASSIFICATION	
CHECKED		DATE	08/09/98							DRG. NO.	
APPROVED		C/N	MTD							5010963	
SCALE N.T.S.										INSPECTION PROCEDURE	
MATERIAL										FINISH	
TOLERANCE UNLESS STATED										DIMENSIONS IN m.m.	
TITLE										EARTH STUD 1	
WIRING DIAGRAM FOR										EARTH STUD 2	
230V 50HZ POWER FAN										EARTH STUD 1	
Ekac Limited										EARTH STUD 2	
A										EARTH STUD 1	
B										EARTH STUD 2	
C										EARTH STUD 1	
D										EARTH STUD 2	