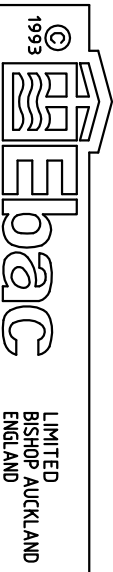
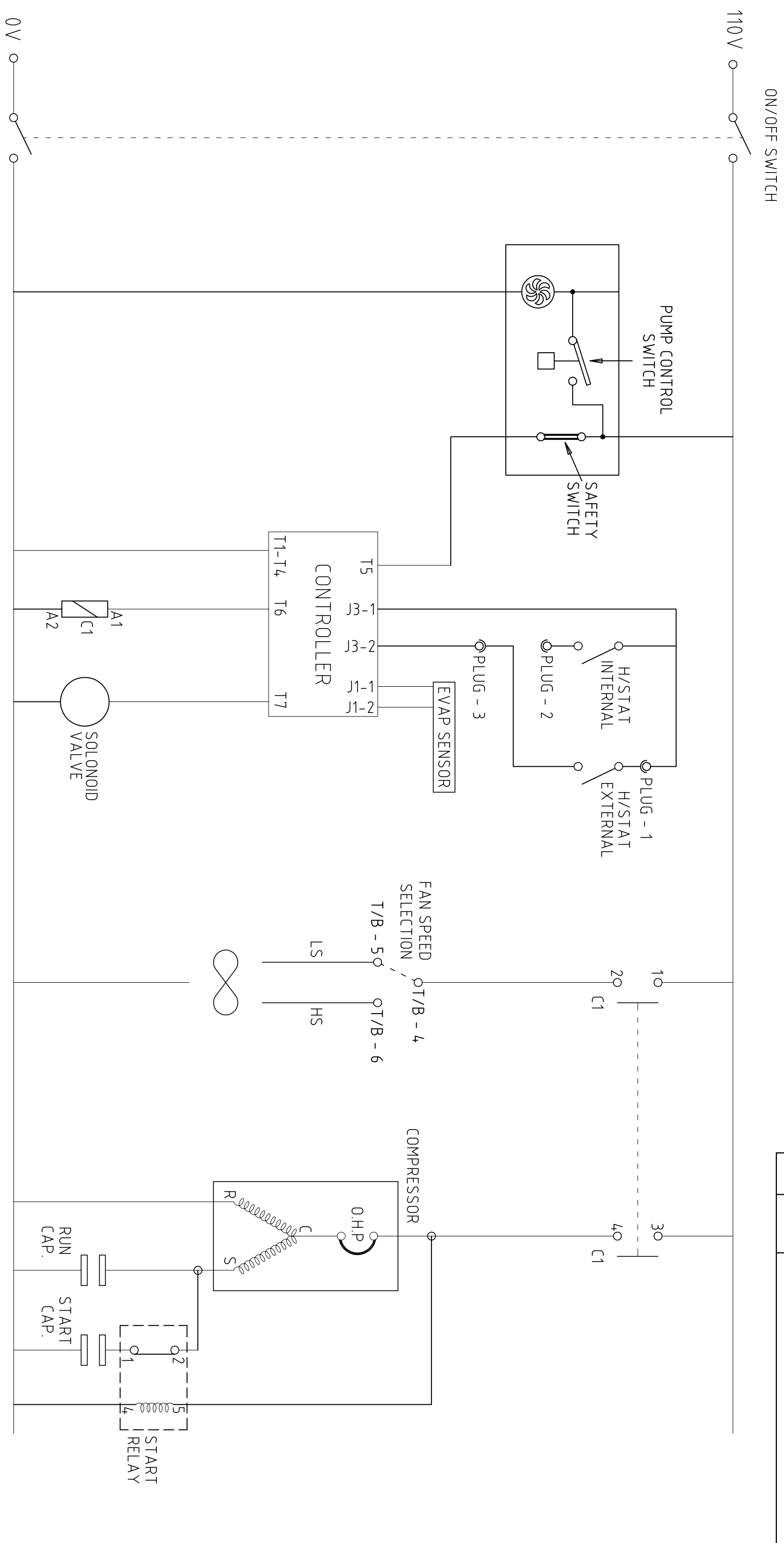


ISSUE	DATE	AMENDMENTS
1	20/8/08	ORIGINAL
2	22/02/11	DOCUMENT NO. AND TITLE CORRECTED - WDA
3	31/08/11	START CAP AND RELAY ADDED - WDA



TITLE  
CD2000 WIRING SCHEMATIC

3RD ANGLE PROJECTION  
DO NOT SCALE  
IF IN DOUBT ASK

DIMENSIONS IN m.m.  
TOLERANCES UNLESS  
OTHERWISE STATED

0.0 ± 0.25  
0.00 ± 0.05  
ANGULAR ± 0.5 DEGREE

MATERIAL  
N/A

FINISH  
N/A

DRAWN : W DAGLISH  
CAD SCALE : N/A

DRG.NO  
5020112

SHEET  
1 OF 1