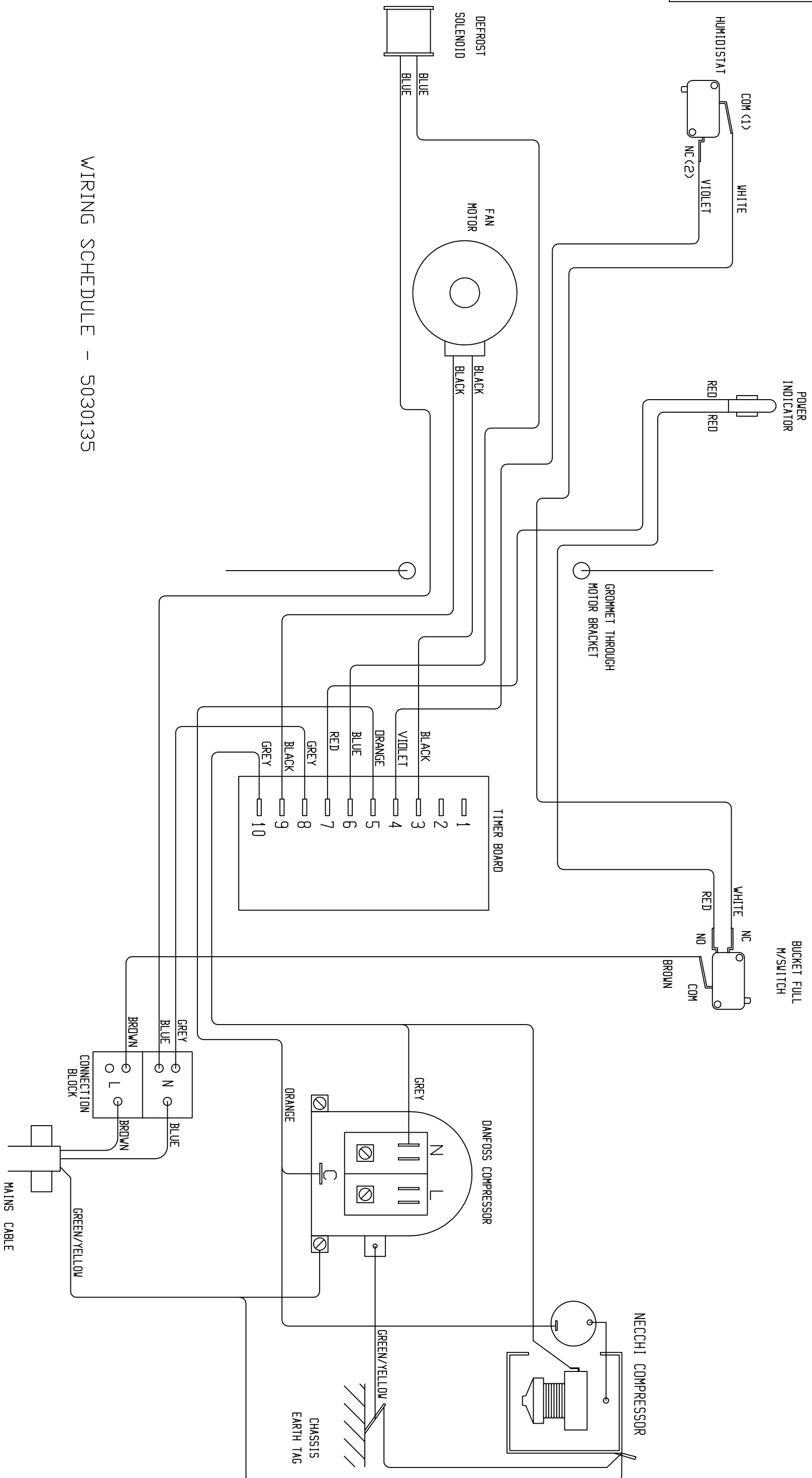
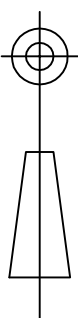


3RD ANGLE PROJECTION



WIRING SCHEDULE - 5030135

DRAWN M. SMITH	ISS. 1	2	3	4	5
CHECKED	DATE 27/9/90	10/12/97	19/10/98	10/10/01	18/10/07
APPROVED					
SCALE NA	C/N	MTD	MTD	W/DA	W/DA
INSPECTION PROCEDURE	MATERIAL	FINISH			TOLERANCE UNLESS STATED
					DIMENSIONS IN m.m.

Ekac Limited

SECURITY CLASSIFICATION

TITLE CD35 1990-91
240V 50HZ

DRG. NO. 5012104